



## Ultra-small package High-precision Voltage Detector with delay circuit, KF2005 Series

### General Description

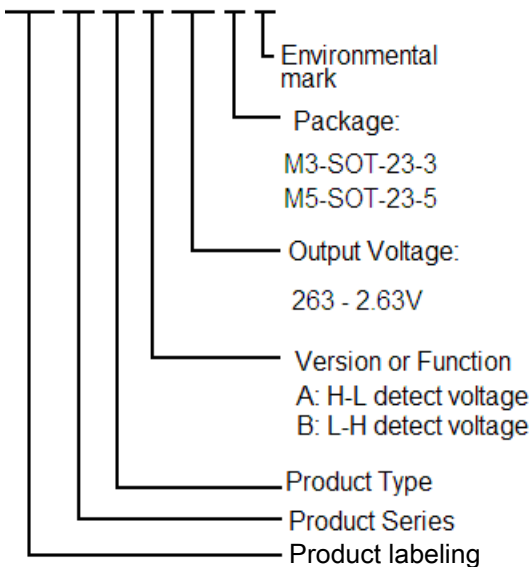
**KF2005 Series** is a series of high-precision voltage detectors with a built-in delay time generator of fixed time developed using CMOS process. Internal oscillator and counter timer can delay the release signal without external parts. Detect voltage is extremely accurate with minimal temperature drift. CMOS output configurations are available.

### Features

- Highly accuracy:  $\pm 2\%$
- Low power consumption: TYP 0.9 $\mu$ A ( $V_{DD}=3V$ )
- Detect voltage range: 1.0V~6.5V in 0.1V increments
- Operating voltage range: 0.7V~7V
- Detect voltage temperature characteristics:  
TYP $\pm 100$ ppm/ $^{\circ}C$
- Output configuration: CMOS
- Package: SOT-23-3, SOT-23-5

### Selection Guide

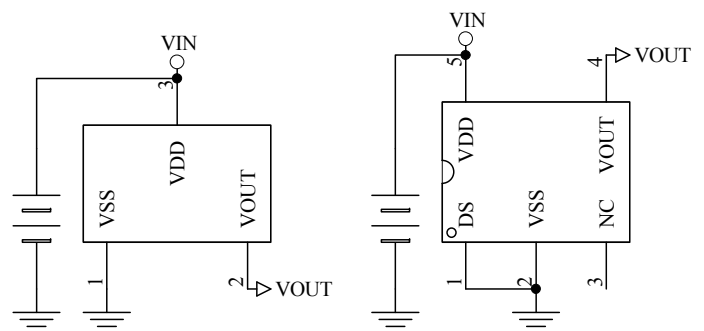
**KF 20 05 X XX X X**



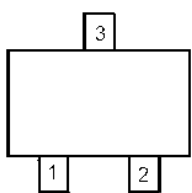
### Typical Application

- Power monitor for portable equipment such as notebook computers, digital still cameras, PDA, and cellular phones
- Constant voltage power monitor for cameras, video equipment and communication devices.
- Power monitor for microcomputers and reset for CPUs.
- System battery life and charge voltage monitors

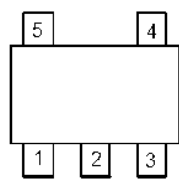
### Typical Application Circuit



### Pin Configuration



SOT-23-3



SOT-23-5